

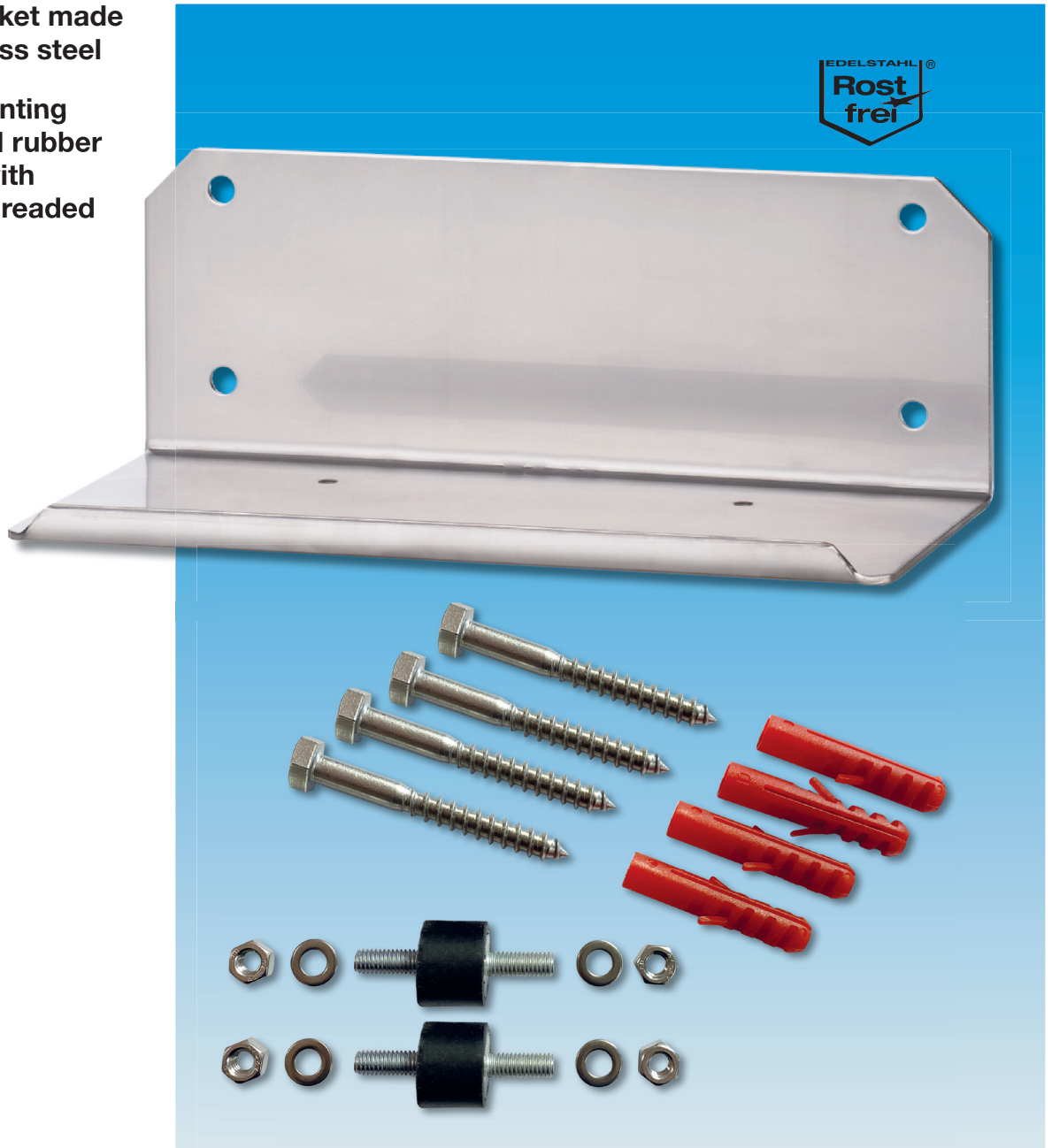


Wall bracket WH 03 00

Accessories for *AspriPlus* pumps

MANUAL

- Wall bracket made of stainless steel
- with mounting parts and rubber buffers with double threaded bolt.



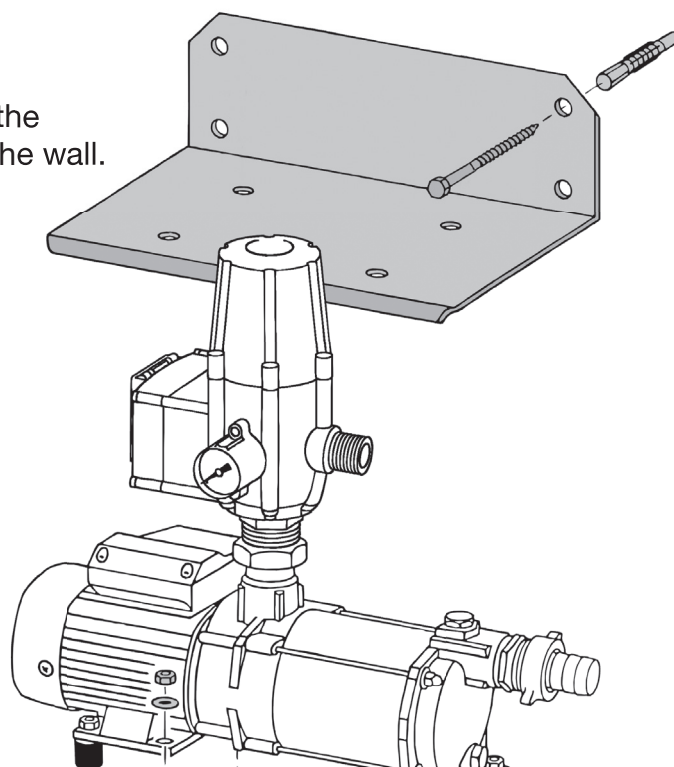
 made
 in
 Germany

WISY

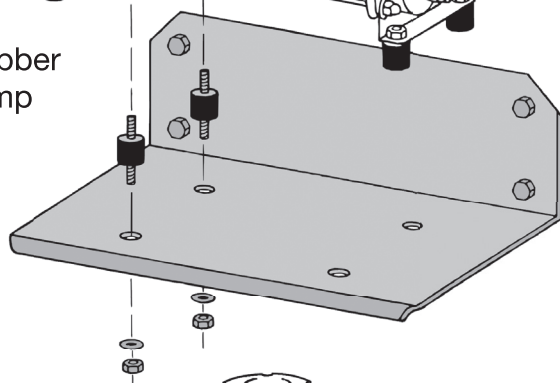
Rainwater Harvesting

Mounting the AspriPlus pump on the wall bracket WH 03 00

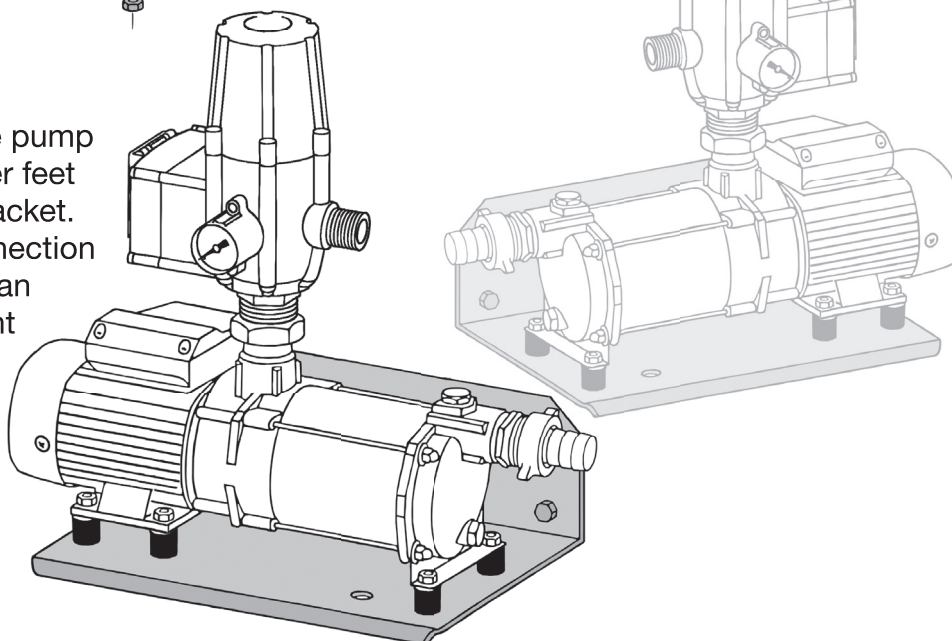
- 1** First screw the console to the wall.



- 2** Then fit the rubber feet to the pump motor.



- 3** Now place the pump with the rubber feet on the wall bracket. The hose connection of the pump can optionally point to the right or to the left. Screw tight from below.



Included in the scope of delivery:

- 1x stainless steel wall bracket
- 4x dowels 10 x 61 mm
- 4x screws 8 x 80 mm
- 2x rubber feet with double-sided M6 threaded bolts, with nuts and washers



WISY AG
D-63699 Kefenrod, Oberdorfstraße 26
Telefon +49 (0) 60 54-91 21-0

Fax +49 (0) 60 54-91 21-29
Internet: www.wisy.de
E-Mail: info@wisy.de